

5.2kWh Lithium Battery User Manual



General Information

Model Type:	Giv-Bat5.2
Type of Battery	LiFePO ₄
Battery Voltage Range	44.8~57.6Vd.c
Max Charge And Discharge Current:	60Ad.c.
Depth Of Discharge:	80%DOD
Display:	LED
Communication:	RS485/USB
Degree Of Protection:	IP65
Operating Temperature Range:	0~+50°C For Charge -10~+50°C For Discharge
Protective Class:	I (Connect To Inverter With Class I)

Dimension(L*W*H): 515*480*205(mm) **Weight:** 58±0.5Kg
Charge at constant current 50A until voltage reaches 57.6V or voltage of any cell reaches 3.65V.

Battery Rack Installation

- Connecting the Inverter RS485 port to inverter, connecting the battery RS485 port to other batteries using the neighboring A and B, if batteries need be parallels
- Connecting output directly to inverter or in parallels with no more than four batteries
- Setting up the ID

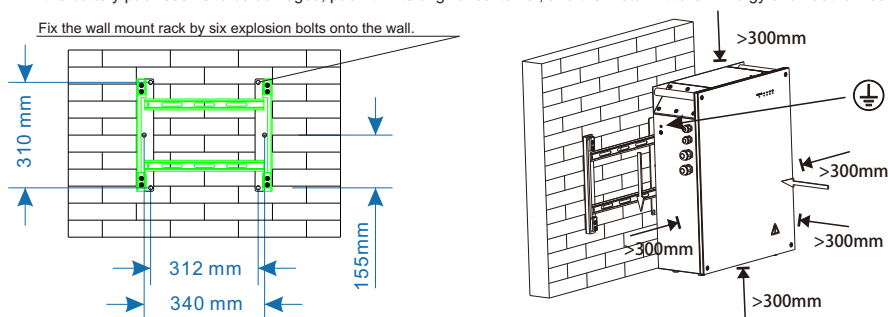
Battery	ID	Description
Master		0, 0, 0, 0
Slave 1		1, 0, 0, 0
Slave 2		0, 1, 0, 0
Slave 3		0, 0, 1, 0
Slave 4		0, 0, 0, 1

- Push the "ON/OFF" button to operate the battery system. The light of the button will light
- Check the battery data and ensure the battery is operating normally.

Wall Mounting Installation

- The thickness of wall for battery must be not less than 120mm.
- Put the wall mount rack onto the wall, and mark the position of the rack holes on the wall. And make sure the rack will be horizontal.
- Drill four Φ 10 holes at the marked points, the depth is not less than 75mm. Fix the wall mount rack by four explosion bolts onto the wall. Hung the battery onto the rack, as below picture.
- The minimum distance around the battery must be more than 300mm.
- A DC isolator is recommended to be add on the power circuit between inverter and battery, recommended rating at 100Amps per set of external power cable
- Products can be used indoors and outdoors, indoor installation requires ventilation around, no obstacles. Outdoor should be installed in a cool place, not direct sunlight
- The battery should be installed by approved installer. And any maintenance or updating also should be done by approved installer in the future.

NOTE: If the battery pack seems to be damaged, pack it in its original container, and then return it to GivEnergy or an authorized dealer.



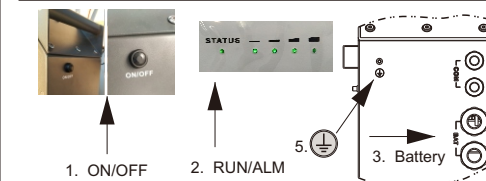
Packing List

Item	Item Name	Qty
1	51.2V/102Ah Battery Module	1
2	Wall Mount Rack	1
3	Explosion Screw	6
4	2P RS485 Communication Connector	1
5	4P RS485 Communication Connector	1
6	User Manual	1
7	Carton	1
8	M4 Terminal Connector Ground	1
9	Battery Output Terminations	1
10	RS485 Connect Cable 1800mm	1
11	6AWG Red Connect Cable 1500mm	1
12	6AWG Black Connect Cable 1500mm	1

* Specification of external DC breaker shall be greater than 60A

Port Features

Item	Name	Specification
1	ON/OFF	System Switch
2	Status	RUN/ALM
3	Battery	BAT + / BAT -
4	ID	For Parallel
5		Connect To Ground
6	Inverter RS485 2P	COM Port To Inverter
7	Battery RS485 4P	COM Port To Parallel
8	USB	FW Updating



What Not To Do

Please read and comply with the following conditions of installation and use of the battery.

- DO NOT throw the battery into fire or water. DO NOT heat the battery.
- DO NOT use the battery when it became hot, bulges, deforms or leaks.
- DO NOT puncture the battery by nail or other sharp objects.
- DO NOT throw, stamp on, impact or hit the battery.
- DO NOT open or try to repair the battery when it is defective. Warranty invalid if the battery repaired or disassembled.
- DO NOT use the battery with full power when the around temperature above 45 °C.

Preliminary determination steps

- Temperature:** Above 50 or under -10, the battery could not work.
Solution: to move battery to the normal operating temperature range between -10°C and 50°C.
- Current:** If current is greater than 100A, battery protection will turn on.
Solution: Check whether current is too large or not, if it is, to change the settings on power supply side.
- High Voltage:** If charging voltage above 54V, battery protection will turn on.
Solution: Check whether voltage is too high or not, if it is, to change the settings on power supply side.
- Low Voltage:** When the battery discharges to 44.5V or less, battery protection will turn on.
Solution: Charge the battery for some time, the red light turn off

Warning

- In case of fire, make sure there is ABC or carbon dioxide fire extinguisher nearby. Do not use water to put out the fire. The battery pack may catch fire when heated above 150 ° C. If there is a fire at the place where the battery is installed, please carry out the following operations:
 - Put out the fire before the battery is on fire.
 - If the battery is on fire, do not try to put out the fire. People evacuated immediately. Warning if the battery is on fire, it will produce toxic gas.
- If the battery is damaged, please contact the GivEnergy hotline or your dealer for help as soon as possible, because battery damage is dangerous and must be handled with great care.

Shipping And Storage

Shipping

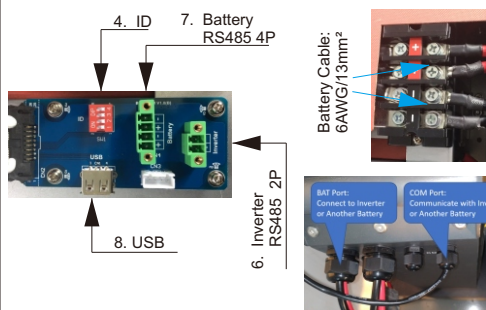
According to the provisions of the product can be used in general means of conveyance, but should avoid throwing, rain fall, strong radiation and corrosion erosion. During transportation, please prevent the collision and strong vibration.

Storage

Storage device indoor, the ambient air temperature is -20°C to +50°C, the average monthly relative humidity of not more than 90%, the ambient air without corrosive and flammable and explosive gas; storage warehouse should be ventilated, free of alkaline, acidic substances and other corrosive gases, without a strong mechanical vibration, shock, and without strong electromagnetic field and direct sunlight.

The battery cannot be charged or discharged

- Cannot be charged:
Disconnect the power cables, measure voltage on power side, if the voltage is 53~54V, restart the battery, connect the power cable and try again, if still not work, turn off battery and contact distributor.
- Unable to discharge:
Disconnect the power cables and measure voltage on battery side, if it is under 44.5V, please charge the battery; if voltage is above 48V and still cannot discharge, turn off battery and contact distributor.



Legal Statement

This information copyright GivEnergy. Without permission, can not be reproduced and copied.